

High Performance LED PL Tube

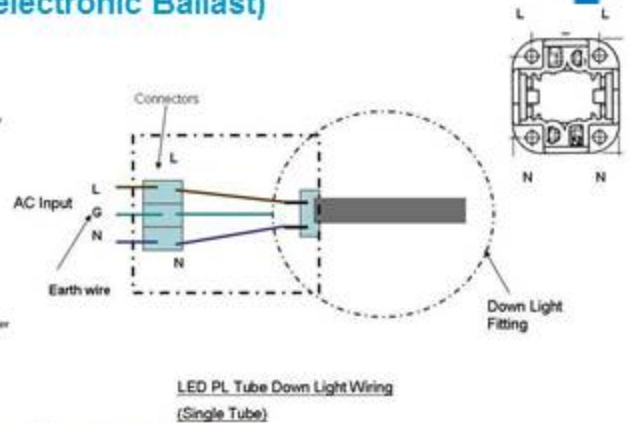
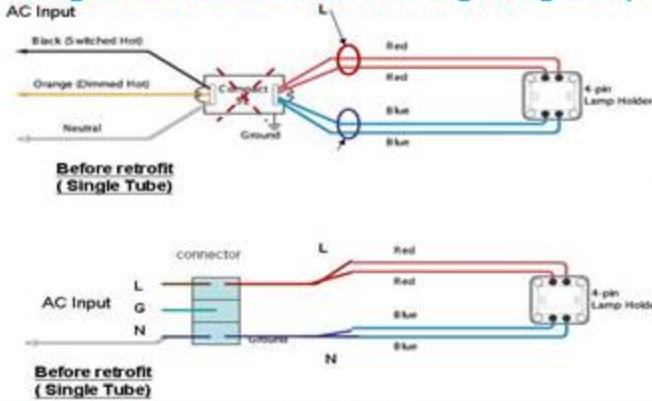
Model IPL-L

Chromaticity Tolerances ANSI C78.377

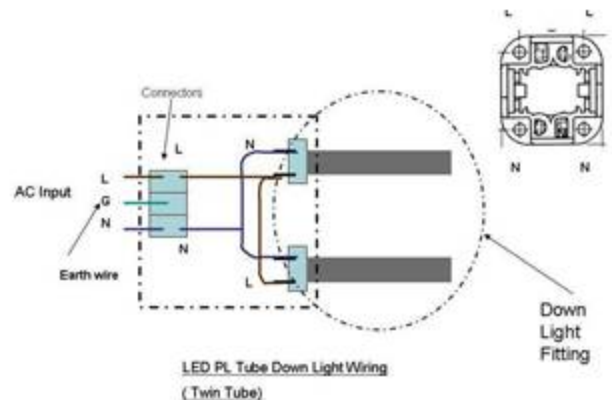
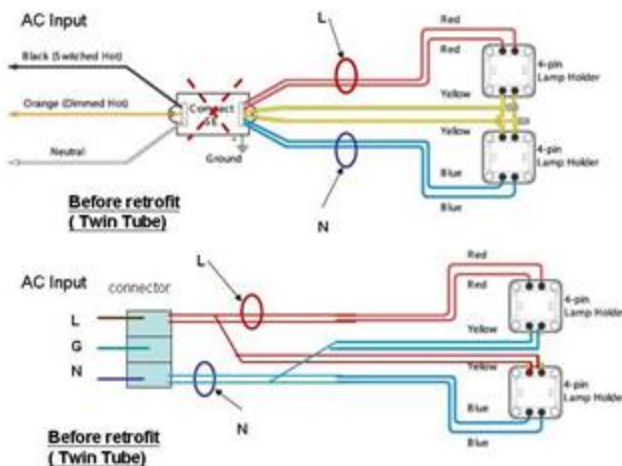
Nominal CCT ¹⁾	Target CCT and tolerance (K)	Target Duv and tolerance
2700 K	2725 ± 145	0.000 ± 0.006
3000 K	3045 ± 175	0.000 ± 0.006
3500 K	3465 ± 245	0.000 ± 0.006
4000 K	3985 ± 275	0.001 ± 0.006
4500 K	4503 ± 243	0.001 ± 0.006
5000 K	5028 ± 283	0.002 ± 0.006
5700 K	5665 ± 355	0.002 ± 0.006
6500 K	6530 ± 510	0.003 ± 0.006
Flexible CCT (2700 - 6500 K)	$T^{2)}$ ± $\Delta T^{3)}$	$D_{uv}^{4)}$ ± 0.006



Single PL Tube Retrofit Wiring Diagram (electronic Ballast)



Twin PL Tube Retrofit Wiring Diagram (Electronic ballast)



Note: For electro-magnetic ballast, just only to replace tube without removing the ballast.