

LED Wall Pack Light

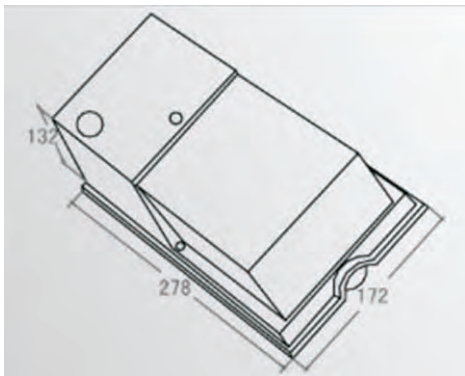
Model : WL-A040-H108S

Features:

1. High light efficiency: 100 lm/W
2. Well sealed enclosure, IP65 waterproof
3. Suitable for subway station, tunnel and bridge, etc...
4. Long life spans High quality driver
5. Easy and firm installation



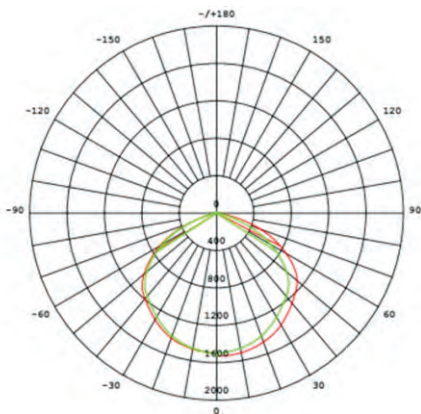
Model :WL-A040-H108S



Dimensions

Standard

| | |
|-----------------------|---------------|
| Standard Size(mm) | 278*172*132mm |
| Voltage (V) | AC100~277V |
| Beam Angle | 120 degree |
| CRI | >80Ra |
| Luminous Efficacy | 100 lm/w |
| Power Factor | > 0.90 |
| Power (W) | 40W |
| Cover Material | Aluminum |
| Color Temperature | 2700K-6500K |
| Life Time | 50,000(H) |
| Operating Temperature | -20~40°C |
| IP Grade | IP 65 |



Average Beam Angle (50%) 117.7Deg