

LED Street Light

Model : SL-A10-T108E

The lighting of LED Street Lights are acknowledged for their high performance and durability. These products offer the best solution for street lighting mini-mast and high-mast applications. Their low power consumption makes it a perfect replacement for conventional street lights

Product Features:

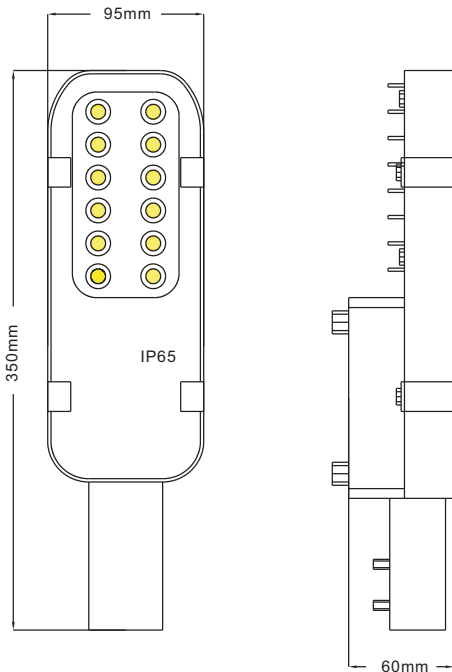
- High intensity light
- Rugged construction
- Reduced light pollution

Product Advantage

- Instant start
- High reliability
- High efficiency



Model : SL-A10-T108E



Standard

Standard Size(mm)	350*95*60mm
Voltage (V)	AC85~265V
Beam Angle	120 degree
CRI	>80Ra
Luminous Efficacy	100 lm/w
Power Factor	> 0.90
Power (W)	10W
Cover Material	Aluminum
Color Temperature	2700K-6500K
Life Time	50,000(H)
Operating Temperature	-20~40°C
Lux/lm in 3 m	40Lux
IP Grade	IP 65

LED Street Light

Model : SL-A10-H118E

The lighting of LED Street Lights are acknowledged for their high performance and durability. These products offer the best solution for street lighting mini-mast and high-mast applications. Their low power consumption makes it a perfect replacement for conventional street lights

Product Features:

- High intensity light
- Rugged construction
- Reduced light pollution

Product Advantage

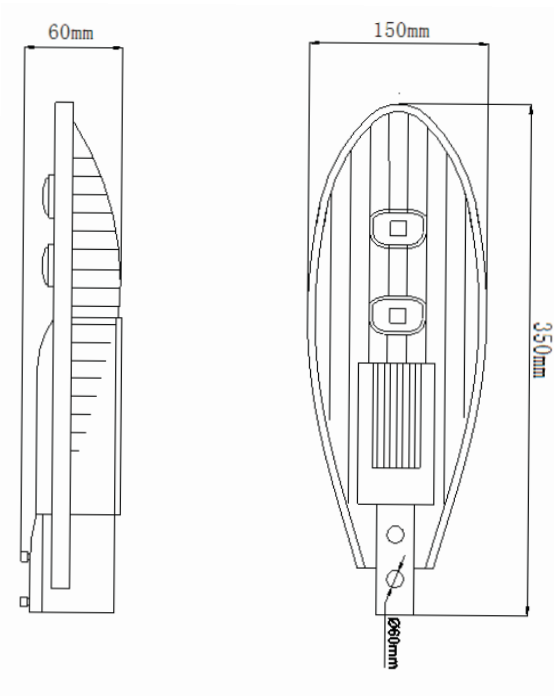
- Instant start
- High reliability
- High efficiency



Model : SL-A10-H118E

Standard

Standard Size(mm)	350*150*60mm
Voltage (V)	AC85~265V
Beam Angle	120 degree
CRI	>80Ra
Luminous Efficacy	110 lm/w
Power Factor	> 0.90
Power (W)	10W
Cover Material	Aluminum
Color Temperature	2700K-6500K
Life Time	50,000(H)
Operating Temperature	-20~40°C
Lux/lm in 3 m	50Lux
IP Grade	IP 65



LED Street Light

Model : SL-A30-H118E

The lighting of LED Street Lights are acknowledged for their high performance and durability. These products offer the best solution for street lighting mini-mast and high-mast applications. Their low power consumption makes it a perfect replacement for conventional street lights

Product Features:

- High intensity light
- Rugged construction
- Reduced light pollution

Product Advantage

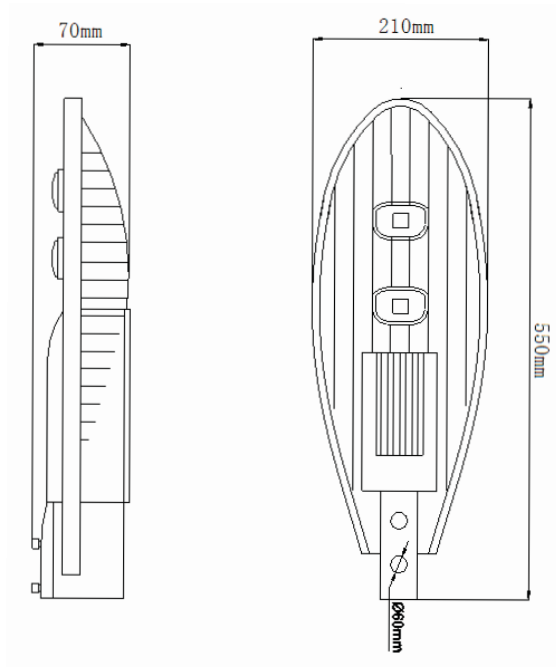
- Instant start
- High reliability
- High efficiency



Model : SL-A30-H118E

Standard

Standard Size(mm)	550*210*70mm
Voltage (V)	AC85~265V
Beam Angle	120 degree
CRI	>80Ra
Luminous Efficacy	110 lm/w
Power Factor	> 0.90
Power (W)	30W
Cover Material	Aluminum
Color Temperature	2700K-6500K
Life Time	50,000(H)
Operating Temperature	-20~40°C
Lux/lm in 3 m	110Lux
IP Grade	IP 65



LED Street Light

Model : SL-A50-H118E

The lighting of LED Street Lights are acknowledged for their high performance and durability. These products offer the best solution for street lighting mini-mast and high-mast applications. Their low power consumption makes it a perfect replacement for conventional street lights

Product Features:

- High intensity light
- Rugged construction
- Reduced light pollution

Product Advantage

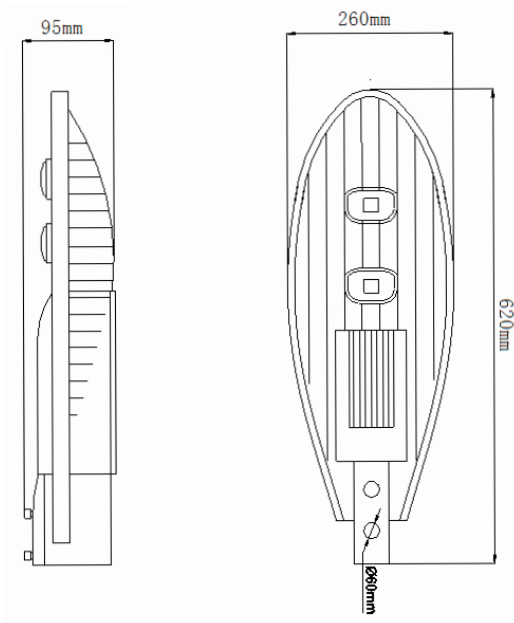
- Instant start
- High reliability
- High efficiency



Model : SL-A50-H118E

Standard

Standard Size(mm)	620*260*95mm
Voltage (V)	AC85~265V
Beam Angle	120 degree
CRI	>80Ra
Luminous Efficacy	110 lm/w
Power Factor	> 0.90
Power (W)	50W
Cover Material	Aluminum
Color Temperature	2700K-6500K
Life Time	50,000(H)
Operating Temperature	-20~40°C
Lux/lm in 3 m	170Lux
IP Grade	IP 65



LED Street Light

Model : SL-A60-H118E

The lighting of LED Street Lights are acknowledged for their high performance and durability. These products offer the best solution for street lighting mini-mast and high-mast applications. Their low power consumption makes it a perfect replacement for conventional street lights

Product Features:

- High intensity light
- Rugged construction
- Reduced light pollution

Product Advantage

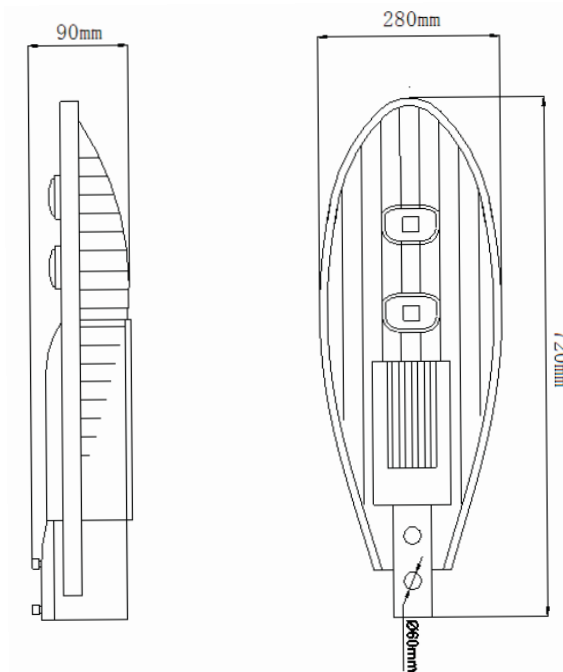
- Instant start
- High reliability
- High efficiency



Model : SL-A60-H118E

Standard

Standard Size(mm)	720*280*90mm
Voltage (V)	AC85~265V
Beam Angle	120 degree
CRI	>80Ra
Luminous Efficacy	110 lm/w
Power Factor	> 0.90
Power (W)	60W
Cover Material	Aluminum
Color Temperature	2700K-6500K
Life Time	50,000(H)
Operating Temperature	-20~40°C
Lux/lm in 3 m	210Lux
IP Grade	IP 65



LED Street Light

Model : SL-A65-H118E

The lighting of LED Street Lights are acknowledged for their high performance and durability. These products offer the best solution for street lighting mini-mast and high-mast applications. Their low power consumption makes it a perfect replacement for conventional street lights

Product Features:

- High intensity light
- Rugged construction
- Reduced light pollution

Product Advantage

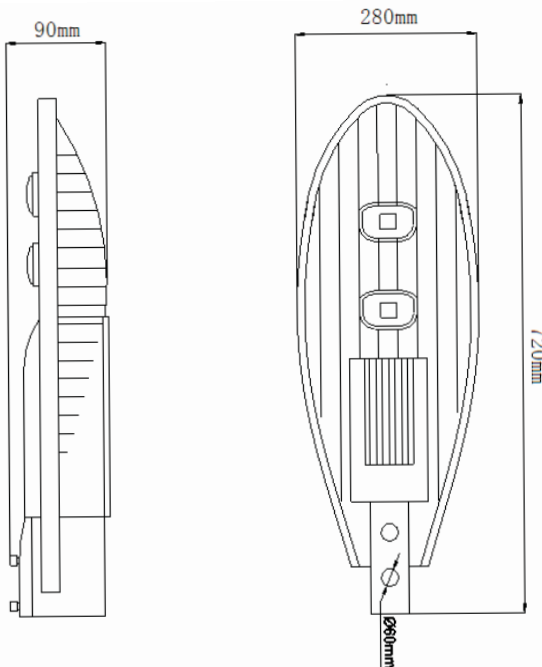
- Instant start
- High reliability
- High efficiency



Model : SL-A65-H118E

Standard

Standard Size(mm)	720*280*90mm
Voltage (V)	AC85~265V
Beam Angle	120 degree
CRI	>80Ra
Luminous Efficacy	110 lm/w
Power Factor	> 0.90
Power (W)	65W
Cover Material	Aluminum
Color Temperature	2700K-6500K
Life Time	50,000(H)
Operating Temperature	-20~40°C
Lux/lm in 3 m	210Lux
IP Grade	IP 65



LED Street Light

Model : SL-A65-H128E

The lighting of LED Street Lights are acknowledged for their high performance and durability. These products offer the best solution for street lighting mini-mast and high-mast applications. Their low power consumption makes it a perfect replacement for conventional street lights

Product Features:

- High intensity light
- Rugged construction
- Reduced light pollution

Product Advantage

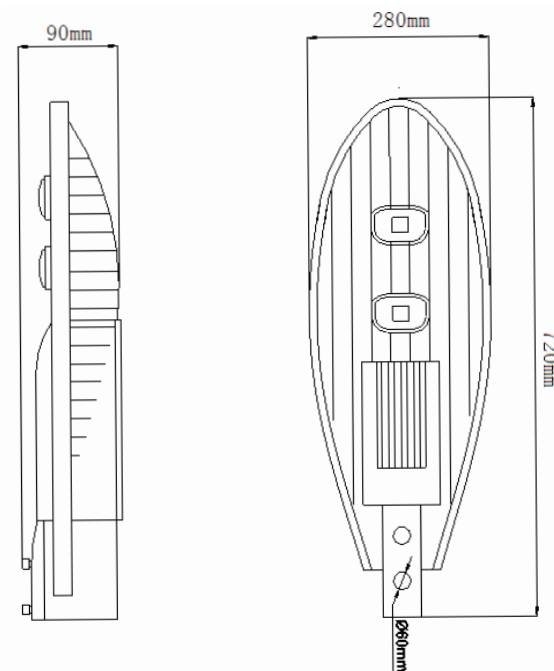
- Instant start
- High reliability
- High efficiency



Model : SL-A65-H128E

Standard

Standard Size(mm)	720*280*90mm
Voltage (V)	AC85~265V
Beam Angle	120 degree
CRI	>80Ra
Luminous Efficacy	120 lm/w
Power Factor	> 0.90
Power (W)	65W
Cover Material	Aluminum
Color Temperature	2700K-6500K
Life Time	50,000(H)
Operating Temperature	-20~40°C
Lux/lm in 3 m	240Lux
IP Grade	IP 65



LED Street Light

Model : SL-A70-H118E

The lighting of LED Street Lights are acknowledged for their high performance and durability. These products offer the best solution for street lighting mini-mast and high-mast applications. Their low power consumption makes it a perfect replacement for conventional street lights

Product Features:

- High intensity light
- Rugged construction
- Reduced light pollution

Product Advantage

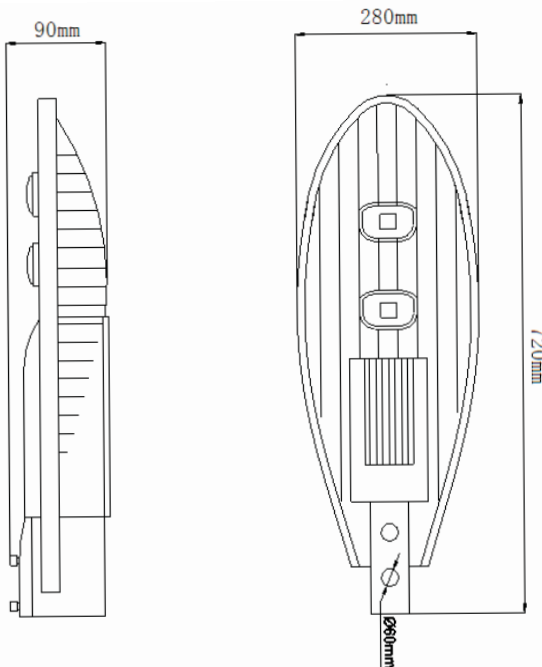
- Instant start
- High reliability
- High efficiency



Model : SL-A70-H118E

Standard

Standard Size(mm)	720*280*90mm
Voltage (V)	AC85~265V
Beam Angle	120 degree
CRI	>80Ra
Luminous Efficacy	120 lm/w
Power Factor	> 0.90
Power (W)	70W
Cover Material	Aluminum
Color Temperature	2700K-6500K
Life Time	50,000(H)
Operating Temperature	-20~40°C
Lux/lm in 3 m	230Lux
IP Grade	IP 65



LED Street Light

Model : SL-A100-H108E

The lighting of LED Street Lights are acknowledged for their high performance and durability. These products offer the best solution for street lighting mini-mast and high-mast applications. Their low power consumption makes it a perfect replacement for conventional street lights

Product Features:

- High intensity light
- Rugged construction
- Reduced light pollution

Product Advantage

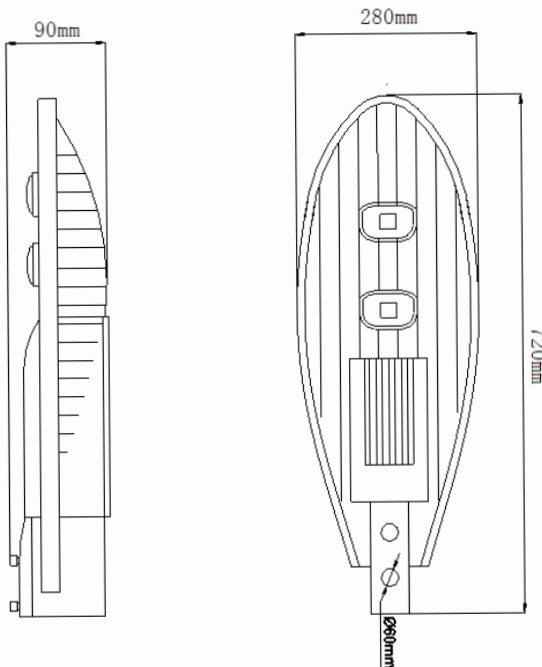
- Instant start
- High reliability
- High efficiency



Model : SL-A100-H108E

Standard

Standard Size(mm)	720*280*90mm
Voltage (V)	AC85~265V
Beam Angle	120 degree
CRI	>80Ra
Luminous Efficacy	100 lm/w
Power Factor	> 0.90
Power (W)	100W
Cover Material	Aluminum
Color Temperature	2700K-6500K
Life Time	50,000(H)
Operating Temperature	-20~40°C
Lux/lm in 3 m	330Lux
IP Grade	IP 65



LED Street Light

Model : SL-A100-H128E

The lighting of LED Street Lights are acknowledged for their high performance and durability. These products offer the best solution for street lighting mini-mast and high-mast applications. Their low power consumption makes it a perfect replacement for conventional street lights

Product Features:

- High intensity light
- Rugged construction
- Reduced light pollution

Product Advantage

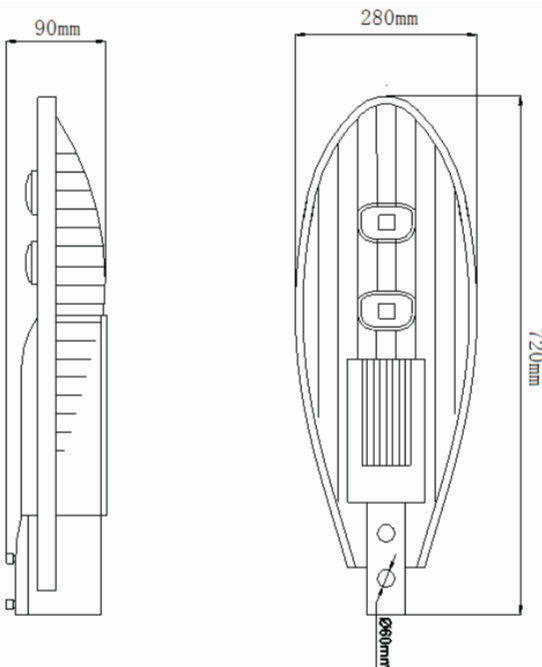
- Instant start
- High reliability
- High efficiency



Model : SL-A100-H128E

Standard

Standard Size(mm)	720*280*90mm
Voltage (V)	AC85~265V
Beam Angle	120 degree
CRI	>80Ra
Luminous Efficacy	120 lm/w
Power Factor	> 0.90
Power (W)	100W
Cover Material	Aluminum
Color Temperature	2700K-6500K
Life Time	50,000(H)
Operating Temperature	-20~40°C
Lux/lm in 3 m	380Lux
IP Grade	IP 65



LED Street Light

Model : SL-A120-H118E

The lighting of LED Street Lights are acknowledged for their high performance and durability. These products offer the best solution for street lighting mini-mast and high-mast applications. Their low power consumption makes it a perfect replacement for conventional street lights

Product Features:

- High intensity light
- Rugged construction
- Reduced light pollution

Product Advantage

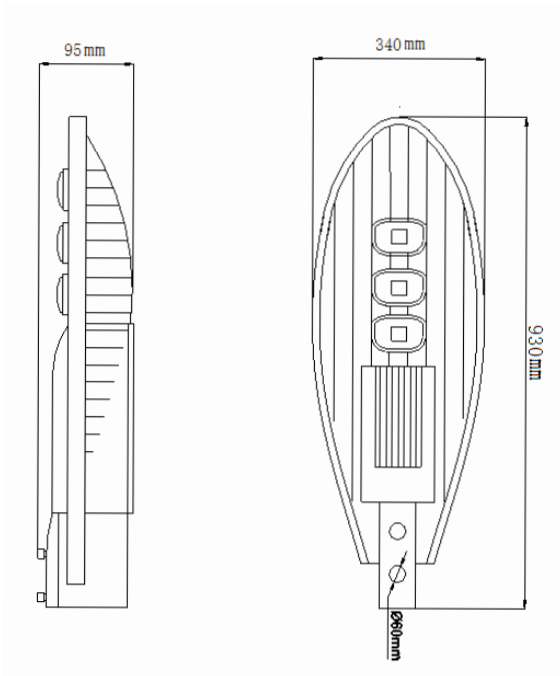
- Instant start
- High reliability
- High efficiency



Model : SL-A120-H108E

Standard

Standard Size(mm)	930*340*95mm
Voltage (V)	AC85~265V
Beam Angle	120 degree
CRI	>80Ra
Luminous Efficacy	100 lm/w
Power Factor	> 0.90
Power (W)	120W
Cover Material	Aluminum
Color Temperature	2700K-6500K
Life Time	50,000(H)
Operating Temperature	-20~40°C
Lux/lm in 3 m	500Lux
IP Grade	IP 65



LED Street Light

Model : SL-A120-H118E

The lighting of LED Street Lights are acknowledged for their high performance and durability. These products offer the best solution for street lighting mini-mast and high-mast applications. Their low power consumption makes it a perfect replacement for conventional street lights

Product Features:

- High intensity light
- Rugged construction
- Reduced light pollution

Product Advantage

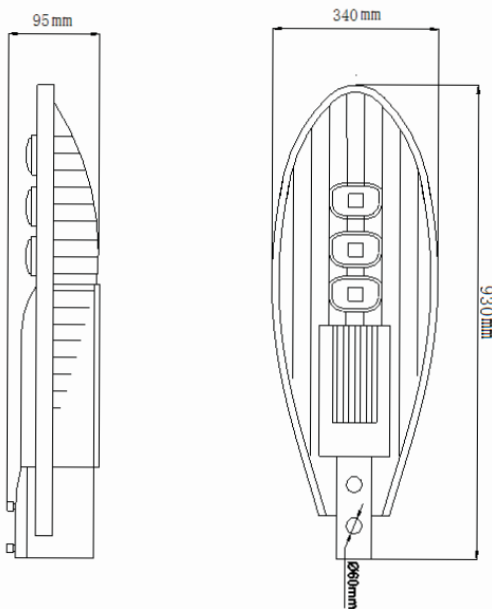
- Instant start
- High reliability
- High efficiency



Model : SL-A120-H118E

Standard

Standard Size(mm)	930*340*95mm
Voltage (V)	AC85~265V
Beam Angle	120 degree
CRI	>80Ra
Luminous Efficacy	110 lm/w
Power Factor	> 0.90
Power (W)	120W
Cover Material	Aluminum
Color Temperature	2700K-6500K
Life Time	50,000(H)
Operating Temperature	-20~40°C
Lux/lm in 3 m	650Lux
IP Grade	IP 65



LED Street Light

Model : SL-A150-H108E

The lighting of LED Street Lights are acknowledged for their high performance and durability. These products offer the best solution for street lighting mini-mast and high-mast applications. Their low power consumption makes it a perfect replacement for conventional street lights

Product Features:

- High intensity light
- Rugged construction
- Reduced light pollution

Product Advantage

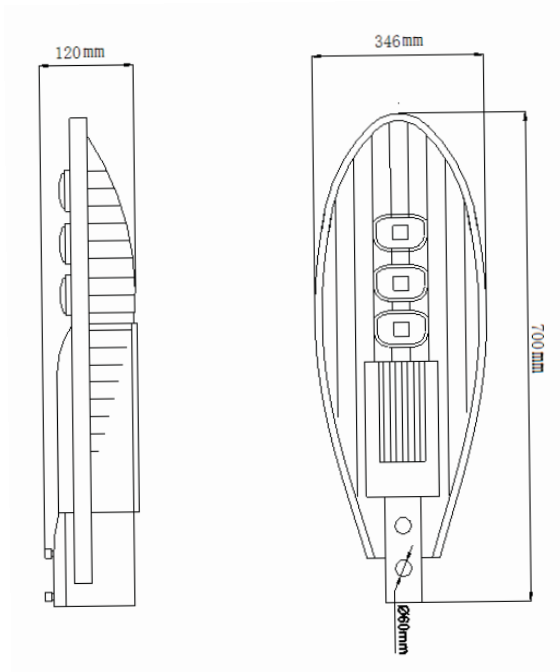
- Instant start
- High reliability
- High efficiency



Model : SL-A150-H108E

Standard

Standard Size(mm)	700*346*120mm
Voltage (V)	AC85~265V
Beam Angle	120 degree
CRI	>80Ra
Luminous Efficacy	100 lm/w
Power Factor	> 0.90
Power (W)	150W
Cover Material	Aluminum
Color Temperature	2700K-6500K
Life Time	50,000(H)
Operating Temperature	-20~40°C
Lux/lm in 3 m	750Lux
IP Grade	IP 65



LED Street Light

Model : SL-A170-R108E

The lighting of LED Street Lights are acknowledged for their high performance and durability. These products offer the best solution for street lighting mini-mast and high-mast applications. Their low power consumption makes it a perfect replacement for conventional street lights

Product Features:

- High intensity light
- Rugged construction
- Reduced light pollution

Product Advantage

- Instant start
- High reliability
- High efficiency



Model : SL-A170-H1018E

Standard

Standard Size(mm)	800*310*120mm
Voltage (V)	AC85~265V
Beam Angle	120 degree
CRI	>80Ra
Luminous Efficacy	100 lm/w
Power Factor	> 0.90
Power (W)	170W
Cover Material	Aluminum
Color Temperature	2700K-6500K
Life Time	50,000(H)
Operating Temperature	-20~40°C
Lux/lm in 3 m	1000Lux
IP Grade	IP 65

